

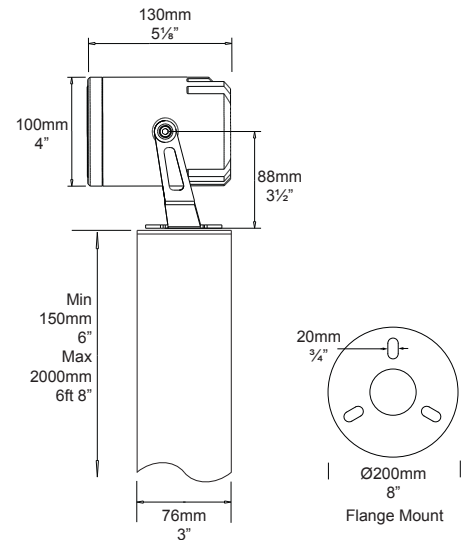
RGBW Pole Spot ULTRA 35

SPECIFICATIONS



LED Chip	LED ENGIN LZP RGBW field replaceable LED board
Luminaire Output	1400 total Lumens @ 350mA (26 watts) all colours on, delivered from the Luminaire with unobstructed beam
Lumens Per Watt	54 Lumens minimum @ 26 watts, delivered from Luminaire with unobstructed beam
CRI (3000K)	RGBW (White 75)
Colour Temperatures	RGBW (White CCT 6500)
Beam Angles	13, 30, 40
Ingress Protection	IP66

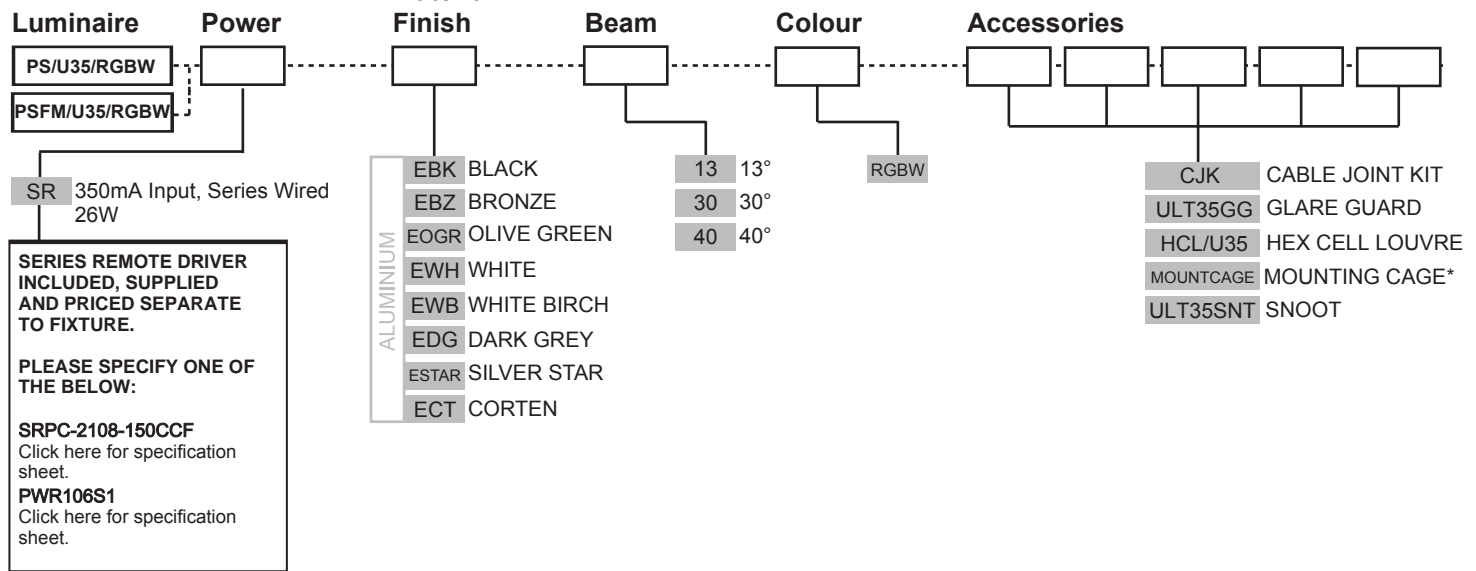
Warranty	Electronics = 5 years Body Aluminium = 5 years
Standards	BS/EN 60598.2.2 cUL 2108 CE



PRODUCT CONFIGURATION

Please fill in appropriate codes into boxes provided

Cat. No. PS/U35/RGBW



*Only available for Flange Mount Version

ADDITIONAL COMMENTS:

LUMINAIRE CONSTRUCTION

CNC machined from one of the following metals:

Aluminium:

Body: 101mm (4") high corrosion resistant aluminium rod with chromate substrate and high UV resistant polyester powder coat.
 Pole: 76mm (3") aluminium tube.
 Colours: Black, Bronze, Silver Star, White, White Birch, Olive Green, Dark Grey, Corten.

316 Stainless Steel:

Bracket: laser cut and folded 316 stainless steel.

Adjustability:

The fully adjustable head allows 360 degree rotation and 0-120 degree elevation.

Cable:

Water resistant rubber.

Gaskets:

Silicone, iron impregnated 220°C (428°F).

Step Lens:

12mm (1/2") extra clear, low iron, shatter resistant glass.
 Lifetime warranty.

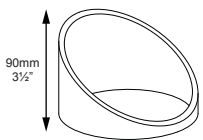
Mounting:

The pole is cast into concrete or mounted via flange mount - please refer to the Hunza website for mounting instructions.

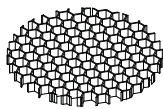
Luminaire Weight:

4kg (9lb)

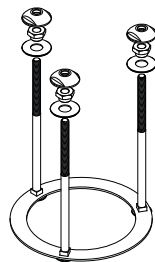
ACCESSORIES



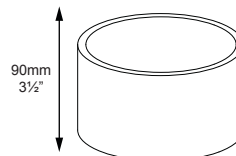
Glare Guard



Hex Cell Louvre



Mounting Cage

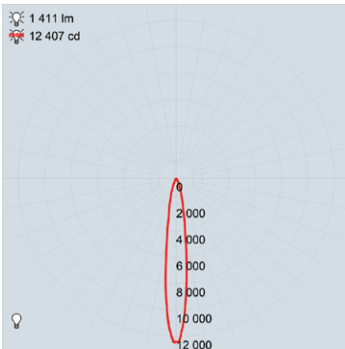


Snoot

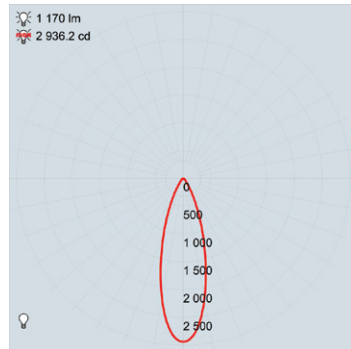
BEAM ANGLES

High efficiency Reflectors. Field replaceable

IES files available for download: <http://www.hunzalighting.com/download.php>



13° FWHM TIR

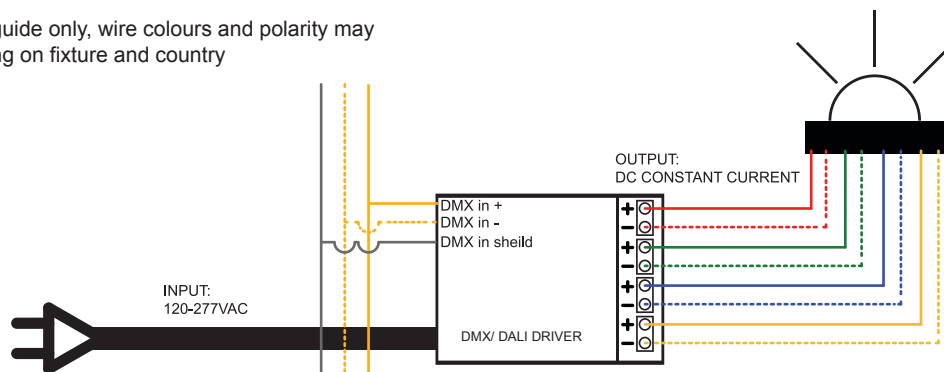


30° FWHM TIR

WIRING GUIDE

Available for download: www.hunzalighting.com/download.php

Diagrams are a guide only, wire colours and polarity may change depending on fixture and country



Specifications may change without notification

Jan 2021