

LTR-S Specification Series

24VDC RGBW Dry and Wet Location LED Tape Specification Sheet

GM Lighting®

Project Name	Type
--------------	------

Catalog #	Date
-----------	------

PRODUCT OVERVIEW

GM's RGBW is a quantum leap beyond RGB. With the addition of a 3000K True White element, a virtually unlimited palette of color and brightness is enabled. Want the color turned off? Then just utilize the white light component. Available for indoor (dry) or outdoor (wet) location. Available in 16'-4" (5M) reels.

FEATURES

- RGB with 3000K True White 4-in-One LED chip
- Dry or Wet (outdoor) location
- Remote control with GM's LUXcontrol™ App and controllers
- Dry location is cuttable every 4"
- Wet location is cut and cap only
- Custom lengths available - consult factory
- 60 LED's / meter
- 120° viewing angle
- For use with LEDTask™ 24VDC RGBW-RWC
- Color Changing Controller (see below)
- 3M adhesive back
- Maximum run on a given lead is 16'-4"



SPECIFICATIONS

ELECTRICAL

- 24V
- 3 or 6 watts per foot

OPERATING TEMP

- -4°F to 122°F

NOTE: WET LOCATION IS NON-JOINABLE IN THE FIELD. CUT AND CAP ONLY. RUN NOT TO EXCEED MAX. RUN LENGTH.

CERTIFICATION

- UL
- Title 24 compliant when used with used with specific drivers. Consult factory.
- Class 2
- Closet Rated. Compliant with NFPA 70, NEC section 410.16 (A)(3) and 410.16 (C)(5)

WARRANTY

- 5-year warranty when paired with GM power supply.
- Note:** 24V non-dimming power supply required.

ORDERING INFORMATION

Example: LTR-S-24V-3.0W-RGBW-16

Model	Series	Voltage	Location	Wattage	Type	Reel Length
LTR	S	24V	n/a	3.0W	RGBW	16
				6.0W		
LTR	S	24V	WP	3.0W	RGBW	16

*Reel Length: 16 = 16'-4"
WP = Wet location

ACCESSORIES

Model	Description
RGBW-RTR-EZ-1	RGB EZ tape to tape connector
RGBW-RTR-EZ-3	3" RGB EZ tape to tape connector
RGBW-RTR-EZ-12	12" RGB EZ tape to tape connector
RGBW-RTR-EZ-24	24" RGB EZ tape to tape connector
RGBW-RTR-EZ-36	36" RGB EZ tape to tape connector
RGBW-RTR-EZ-60	60" RGB EZ tape to tape connector
RGBW-RPS-EZ-60	60" RGB EZ tape to controller connector
RGBW-WP-TPC60	RGBW wet location, tape to power connector
RGBW-WP-TTC3	RGBW wet location, tape to tape connector

CONTROLLERS

Model	Description
SHWC-RGBW	LUXcontrol Smart 2.4 GHz WiFi Controller, Standard 12V/24V Low Voltage, RGBW, 4-Channel / 5-Wire
SHWC-RGBW-RPT	LUXcontrol Universal Smart Power Repeater

LTR-S Specification Series

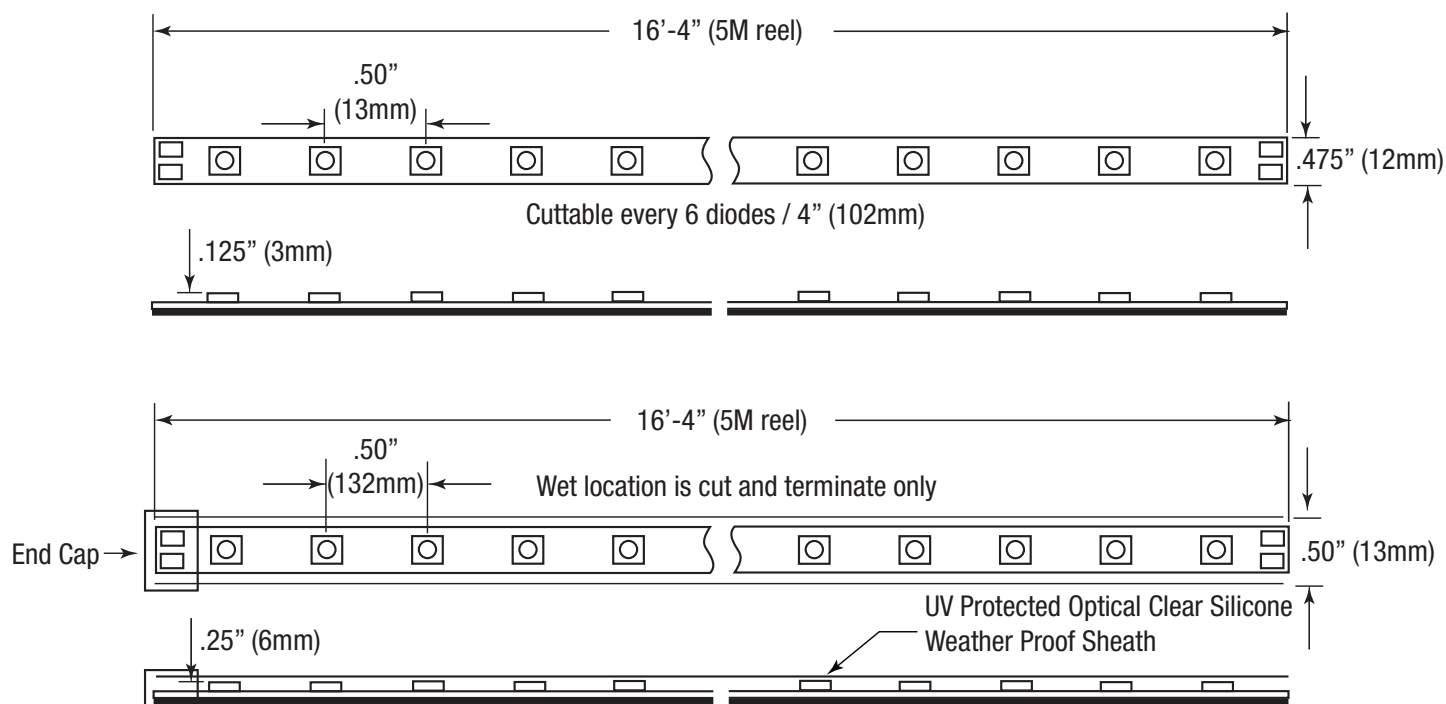
24VDC RGBW Dry and Wet Location LED Tape Specification Sheet



Catalog No.	Length	Wattage / ft.	Lumens in 3000K mode only	Type	Max. Run
LTR-S-24V-3.0W-RGBW-16	16'-4" / 5M	3W	210	RGBW	16'-4"
LTR-S-24V-6.0W-RGBW-16	16'-4" / 5M	6W	430	RGBW	16'-4"
LTR-S-24V-WP-3.0W-RGBW-16	16'-4" / 5M	3W	210	RGBW-WP	16'-4"

Kelvin temperature (color) ±100K.
 16'-4" reel includes 24" lead affixed to tape. RGBW-WP includes 24" lead affixed to tape and a cut and cap kit.

DIMENSION

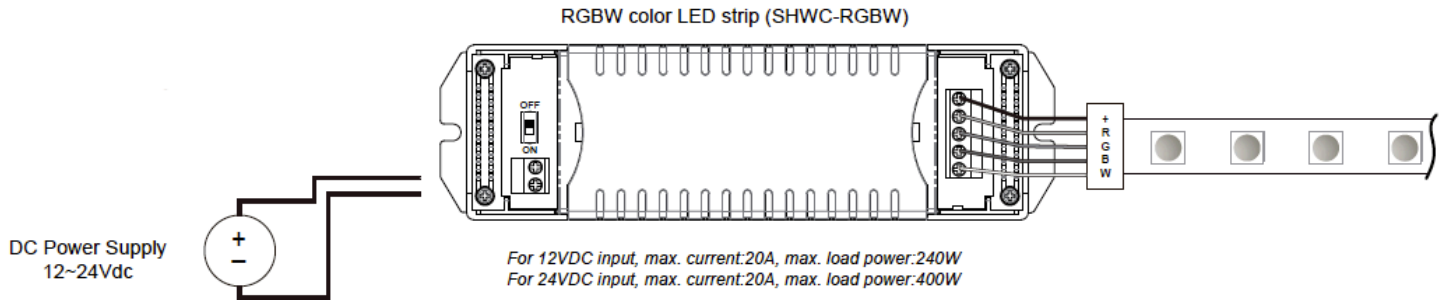


LTR-S Specification Series

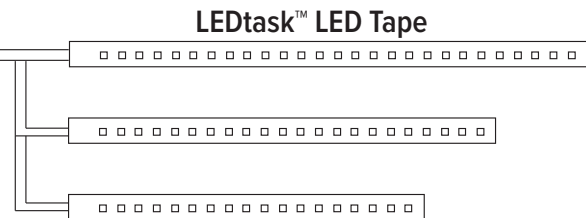
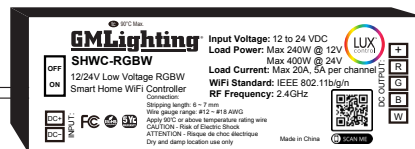
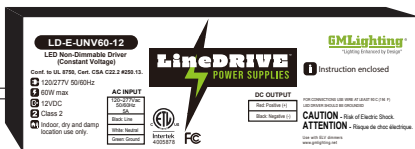
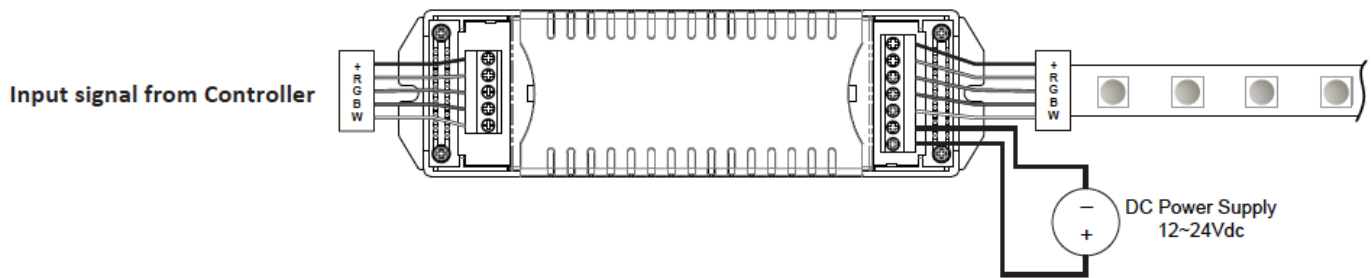
24VDC RGBW Dry and Wet Location LED Tape Specification Sheet



WIRING DIAGRAM - LUXCONTROL WIFI CONTROLLER



SHWC-RGBW and Repeater Wiring RGBW connection (4 channels)



Remote WiFi Control

LUXcontrol™ App



Router Signal

Expandable with universal power repeater (SHWC-RGBW-RPT) for larger projects

Note: For use with LD-E (non-dimmable) or LD-ED (dimmable) power supply only. Not compatible with LD-MD (magnetic) power supply.

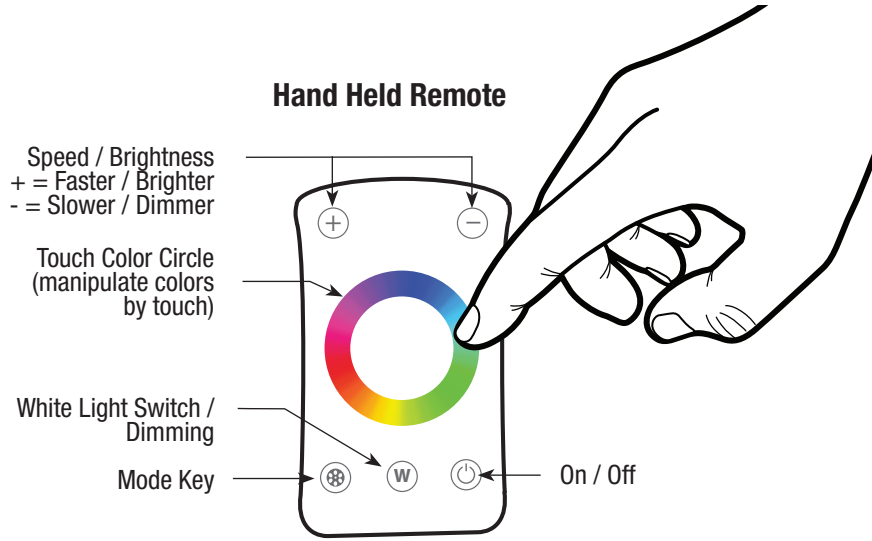
LTR-S Specification Series

24VDC RGBW Dry and Wet Location LED Tape Specification Sheet



HAND-HELD REMOTE CONTROLLER

Model	Description
RGBW-RWC	RGBW controller/amp with battery powered remote
RGBW-RP	RGBW repeater



No.	Mode	Instruction	No.	Mode	Instruction
1	Static Red	Brightness Adjustable	7	Static White	Brightness Adjustable
2	Static Green	Brightness Adjustable	8	RGB Skipping	Speed/ Brightness Adjustable
3	Static Blue	Brightness Adjustable	9	7 Color Skipping	Speed/ Brightness Adjustable
4	Static Yellow	Brightness Adjustable	10	RGB Color Smooth	Speed/ Brightness Adjustable
5	Static Purple	Brightness Adjustable	11	Full Color Smooth	Speed/ Brightness Adjustable
6	Static Cyan	Brightness Adjustable	12	Static Black	White light can be turn off and adjusted

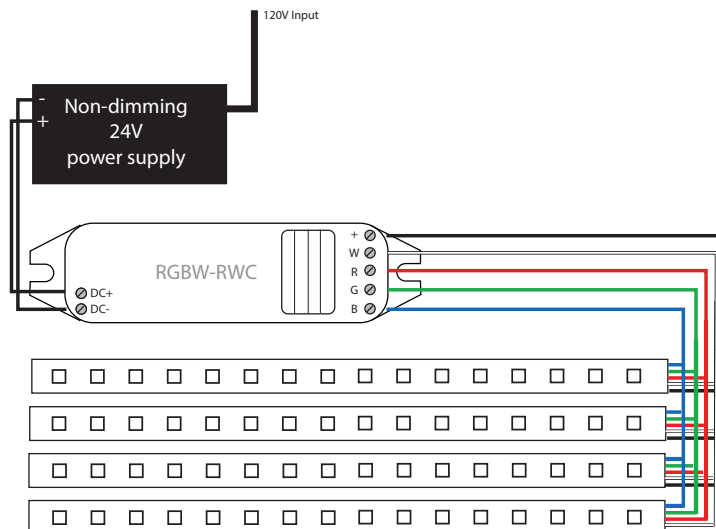
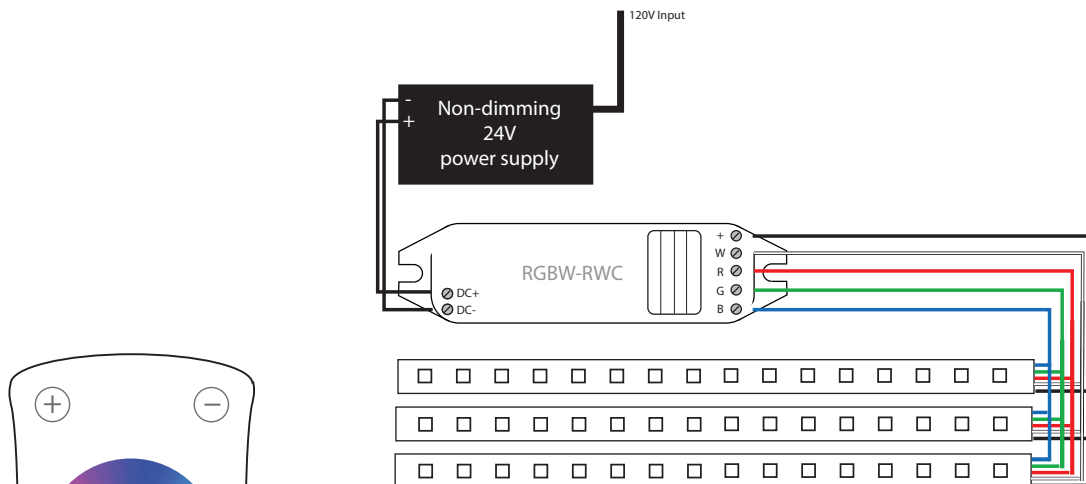
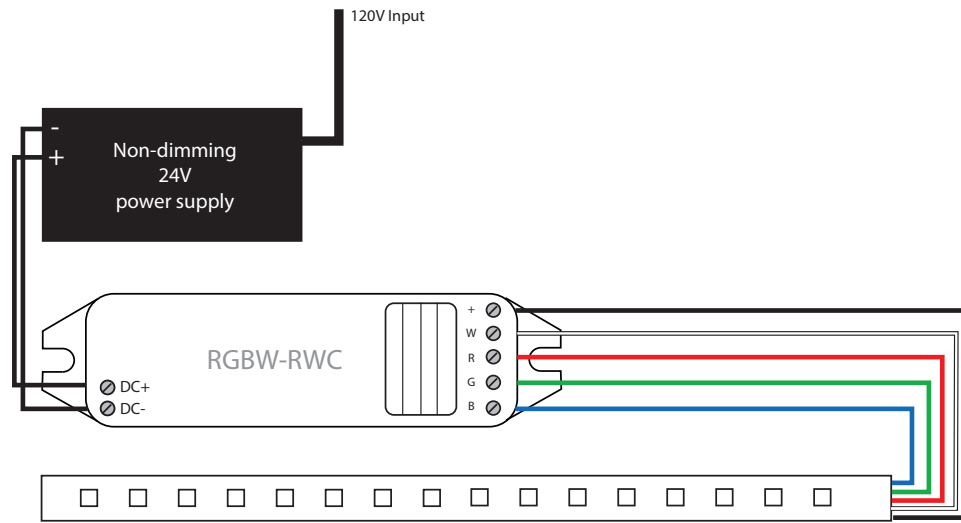


LTR-S Specification Series

24VDC RGBW Dry and Wet Location LED Tape Specification Sheet



WIRING DIAGRAMS



LTR-S Specification Series

24VDC RGBW Dry and Wet Location LED Tape Specification Sheet



WIRING DIAGRAMS CONT.

Class 2 Examples:

